

Beck.

The differential pressure transmitter for air



Differential pressure transmitter 984



General description

The differential pressure transmitters of the 984 series are used for measuring differential pressure, positive pressure and vacuum.

They offer 2 pressure ranges which can alternatively be selected by a jumper.

Applications

Monitoring gaseous, non-aggressive media. Possible areas of application are:

- air-conditioning and clean rooms
- building automation
- environmental protection
- fan and blower control
- valve and flap control
- filter and blower monitoring
- fluid and level monitoring
- control of air flows

Measuring method

Piezoresistive pressure transducer

Selection of pressure range

To adapt best for the application the transmitter can be selected between two adjoining pressure ranges. Factory setting is for the most sensitive range, by opening of a jumpered bridge the less sensitive range is activated.

Adjustable response time

The response time of the output signal can be selected by a jumpered bridge. Factory setting is for a slow response time, which dampens short pressure peaks. To work with a fast response time this bridge needs to be replaced.

Mounting position

They can be mounted in any position. Due to the self-compensating piezoresistive pressure transducer any possible mounting error is eliminated.

Switching output (not for output 4 ... 20 mA, 2-wire)

The differential pressure transmitter contains apart from the analog voltage output an additional switching output.

Technical data

Pressure medium	Air and non-aggressive gases
Linearity and hysteresis error	$\pm 1\%$ of FS
Working temperature	0...50 °C
Storage temperature	-10 ... 70 °C
Long-term stability, typ.	$\pm 0.5\%$ to 2.5% of FS/year, depending on pressure range
Repetition accuracy	$\pm 0.2\%$ of FS
Position dependence	$\pm 0.02\%$ of FS / g
Humidity	0 ... 95 % rel, non-condensing
Response time, selectable	100 ms or 1 s
Process connection	6 mm hose pipe
Electrical connection	Screw terminal block for wire up to 1.5 mm ²
Mounting	Screw mounting with serrated screws
Special features	red LED-display, optional
Housing material	Housing with process connection P2 made of ABS, mounting part with process connection P1 made of POM
Housing dimensions	approx. $\varnothing 85 \times 58$ mm
Weight	approx. 130 g
Protection category according to EN60529	IP 00 without protection cap IP 54 with protection cap (delivery condition)
Cable conduit for protection cap	M20 x 1.5 made of Polyamide
Standards / Conformance	EN60770, EN61326

Pressure ranges

Type	Pressure range 1	Pressure range 2	Overload capacity	Bursting pressure	Temperatur error
984.323	0 ... 100 Pa	0 ... 250 Pa	20 kPa	40 kPa	$\pm 5\%$ v. EW
984.333	0 ... 250 Pa	0 ... 500 Pa	20 kPa	40 kPa	$\pm 5\%$ v. EW
984.343	0 ... 500 Pa	0 ... 1,000 Pa	20 kPa	40 kPa	$\pm 2.5\%$ v. EW
984.353	0 ... 1 kPa	0 ... 2.5 kPa	40 kPa	70 kPa	$\pm 1\%$ v. EW
984.373	0 ... 5 kPa	0 ... 10 kPa	60 kPa	120 kPa	$\pm 1\%$ v. EW
984.393	0 ... 25 kPa	0 ... 50 kPa	300 kPa	500 kPa	$\pm 1\%$ v. EW
984.3B3	0 ... 100 kPa	0 ... 250 kPa	1.2 MPa	2 MPa	$\pm 1\%$ v. EW

Order matrix

selectable	0 ... 100 Pa (1.0 mbar)	0 ... 250 Pa (2.5 mbar)	984.3	2				
pressure ranges	0 ... 250 Pa (2.5 mbar)	0 ... 500 Pa (5.0 mbar)		3				
	0 ... 500 Pa (5.0 mbar)	0 ... 1,000 Pa (10 mbar)		4				
	0 ... 1 kPa (10 mbar)	0 ... 2.5 kPa (25 mbar)		5				
	0 ... 5 kPa (50 mbar)	0 ... 10 kPa (100 mbar)		7				
	0 ... 25 kPa (250 mbar)	0 ... 50 kPa (500 mbar)		9				
	0 ... 100 kPa (1,000 mbar)	0 ... 250 kPa (2,500 mbar)		B				
	Pressure unit	Pascal				3		
Output signal and supply voltage	0 ... 10 Volt, 3-wire, 24 VAC / VDC, with switching output					1		
	4 ... 20 mA, 2-wire, 24 VDC, without switching output					2		
	4 ... 20 mA, 3-wire, 24 VAC / VDC, with switching output					3		
	0 ... 10 Volt, 3-wire, 24 VAC / VDC, without switching output					7		
	4 ... 20 mA, 3-wire, 24 VAC / VDC, without switching output					D		
Display	none						0	
	with LED-Display, 3.5 digits (not for output 4 ... 20 mA, 2-wire)						1	
Electrical connection	screw terminal block							4

Accessories

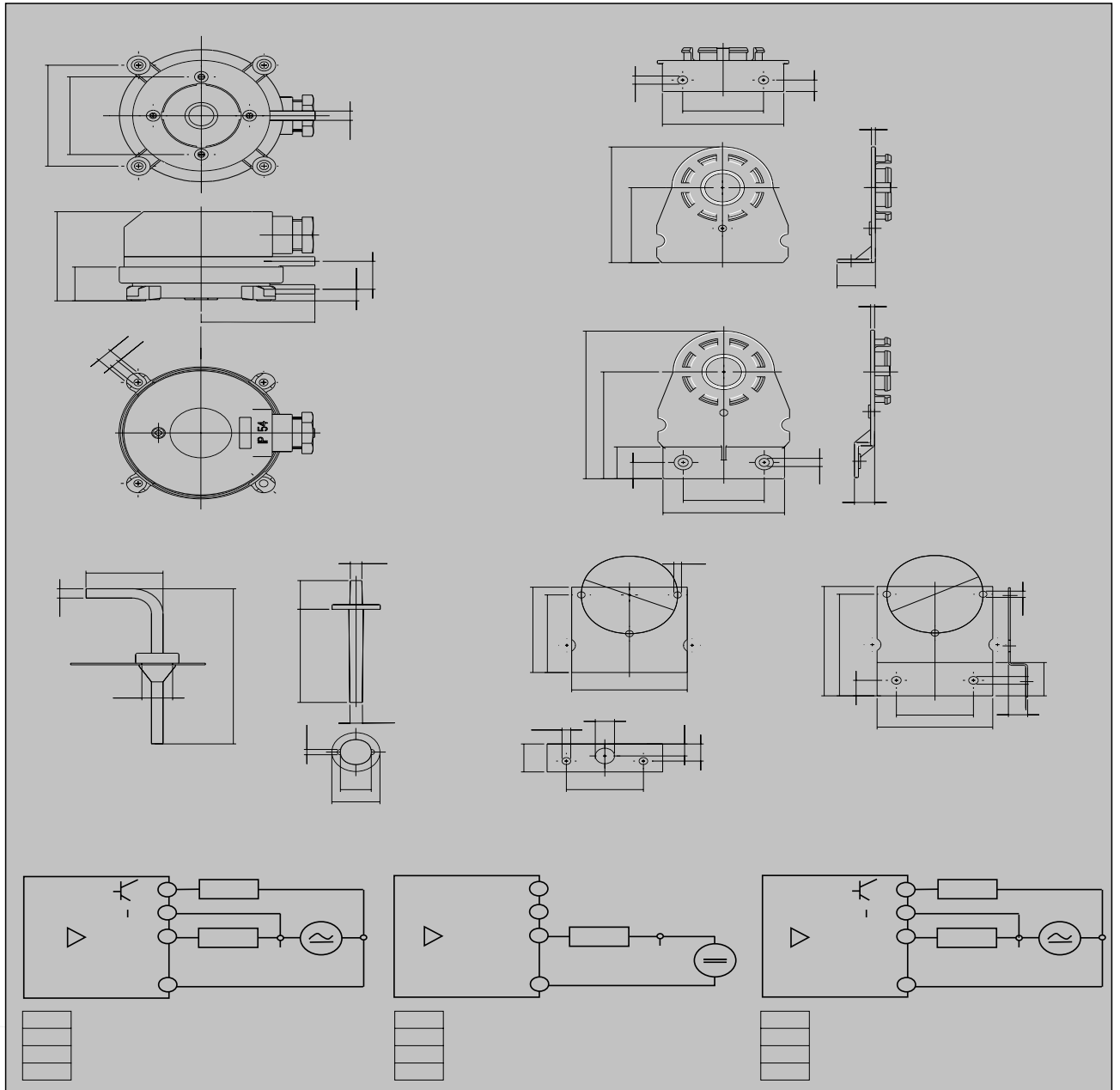
Metal mounting bracket E-shaped	Article No. 6402
Snap-on plastic bracket E-shaped	Article No. 6482
Climasef consisting of 2m PVC hose and 2 plastic tubes	Article No. 6555
Climasef consisting of 2m Silicone hose and 2 plastic tubes	Article No. 6557
Climasef consisting of 2m PVC hose and 2 angled metal pipes	Article No. 6550
Climasef consisting of 2m Silicone hose and 2 angled metal pipes	Article No. 6556
Plastic tube for Climasef	Article No. 6551
Angled metal pipe for Climasef	Article No. 6552
Rubber grommet for Climasef	Article No. 6553
Roll with 100 m PVC hose	Article No. 6424
PC 2x1.5 cable crimping tool for 2-wire and 3-wire	Article No. 6558
PC 2x2 cable crimping tool for 2-wire and 3-wire	Article No. 6559
PC 2x2 cable crimping tool for 2-wire and 3-wire	Article No. 6560
PC 2x2 cable crimping tool for 2-wire and 3-wire	Article No. 6561
PC 2x2 cable crimping tool for 2-wire and 3-wire	Article No. 6562
PC 2x2 cable crimping tool for 2-wire and 3-wire	Article No. 6563
PC 2x2 cable crimping tool for 2-wire and 3-wire	Article No. 6564
PC 2x2 cable crimping tool for 2-wire and 3-wire	Article No. 6565
PC 2x2 cable crimping tool for 2-wire and 3-wire	Article No. 6566
PC 2x2 cable crimping tool for 2-wire and 3-wire	Article No. 6567
PC 2x2 cable crimping tool for 2-wire and 3-wire	Article No. 6568
PC 2x2 cable crimping tool for 2-wire and 3-wire	Article No. 6569
PC 2x2 cable crimping tool for 2-wire and 3-wire	Article No. 6570
PC 2x2 cable crimping tool for 2-wire and 3-wire	Article No. 6571
PC 2x2 cable crimping tool for 2-wire and 3-wire	Article No. 6572
PC 2x2 cable crimping tool for 2-wire and 3-wire	Article No. 6573
PC 2x2 cable crimping tool for 2-wire and 3-wire	Article No. 6574
PC 2x2 cable crimping tool for 2-wire and 3-wire	Article No. 6575
PC 2x2 cable crimping tool for 2-wire and 3-wire	Article No. 6576
PC 2x2 cable crimping tool for 2-wire and 3-wire	Article No. 6577
PC 2x2 cable crimping tool for 2-wire and 3-wire	Article No. 6578
PC 2x2 cable crimping tool for 2-wire and 3-wire	Article No. 6579
PC 2x2 cable crimping tool for 2-wire and 3-wire	Article No. 6580
PC 2x2 cable crimping tool for 2-wire and 3-wire	Article No. 6581
PC 2x2 cable crimping tool for 2-wire and 3-wire	Article No. 6582
PC 2x2 cable crimping tool for 2-wire and 3-wire	Article No. 6583
PC 2x2 cable crimping tool for 2-wire and 3-wire	Article No. 6584
PC 2x2 cable crimping tool for 2-wire and 3-wire	Article No. 6585
PC 2x2 cable crimping tool for 2-wire and 3-wire	Article No. 6586
PC 2x2 cable crimping tool for 2-wire and 3-wire	Article No. 6587
PC 2x2 cable crimping tool for 2-wire and 3-wire	Article No. 6588
PC 2x2 cable crimping tool for 2-wire and 3-wire	Article No. 6589
PC 2x2 cable crimping tool for 2-wire and 3-wire	Article No. 6590
PC 2x2 cable crimping tool for 2-wire and 3-wire	Article No. 6591
PC 2x2 cable crimping tool for 2-wire and 3-wire	Article No. 6592
PC 2x2 cable crimping tool for 2-wire and 3-wire	Article No. 6593
PC 2x2 cable crimping tool for 2-wire and 3-wire	Article No. 6594
PC 2x2 cable crimping tool for 2-wire and 3-wire	Article No. 6595
PC 2x2 cable crimping tool for 2-wire and 3-wire	Article No. 6596
PC 2x2 cable crimping tool for 2-wire and 3-wire	Article No. 6597
PC 2x2 cable crimping tool for 2-wire and 3-wire	Article No. 6598
PC 2x2 cable crimping tool for 2-wire and 3-wire	Article No. 6599
PC 2x2 cable crimping tool for 2-wire and 3-wire	Article No. 6600

Electrical connections

Type	984.3x37... without switching output	984.3x32... without switching output	984.3x3D... without switching output
Output signal shortcircuit-proof to ground	0 ... 10 V, 3-wire,	4 ... 20 mA, 2-wire,	4 ... 20 mA, 3-wire,
Supply voltage	18 ... 30 VAC and 16 ... 32 VDC	15 ... 30 VDC	18 ... 30 VAC and 16 ... 32 VDC
Supply current, max.	30 mA for AC 20 mA for DC	30 mA	30 mA
Offset adjustment	± 50 mV	± 80 A	± 80 A
Span adjustment	± 50 mV	± 80 A	± 80 A
Output current, max.	10 mA	30 mA	30 mA
Maximum Load	–	470	470

Type	984.3x31... with switching output	984.3x33... with switching output
Switching output	Open-collector, npn, SPST, 100 mA max. 35 VDC, adjustable	Open-collector, npn, SPST, 100 mA max. 35 VDC, adjustable
Hysteresis	5 ... 10 % v. FS	5 ... 10 % v. FS
Response time	> 100 ms	> 100 ms

Differential pressure transmitter 984



Technical data subject to change. (09/2003)

